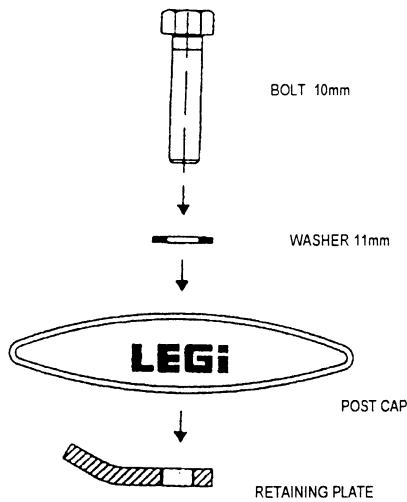


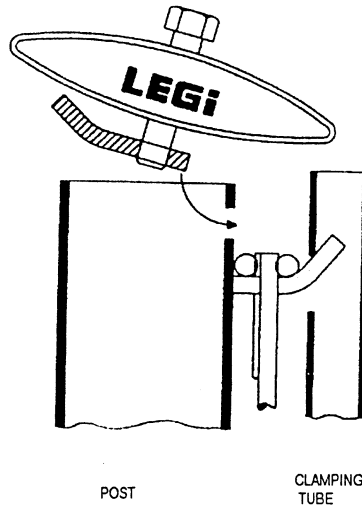
LEGI-Fit INSTALLATION INSTRUCTIONS

Attach the post caps.

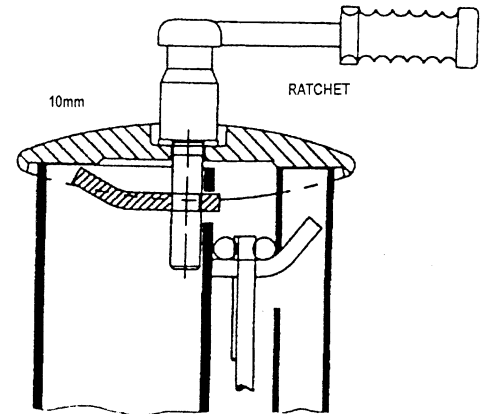
1. Assemble bolt, washer, post cap and retaining plate.



2. Insert the assembled post cap downwards at an angle into the top of the post and over the positioned mesh panel(s) and clamping tube.



3. Tighten the bolt at first by hand and then with a socket wrench until the mesh panel is tensioned and the post cap is horizontal. Do not over tighten.



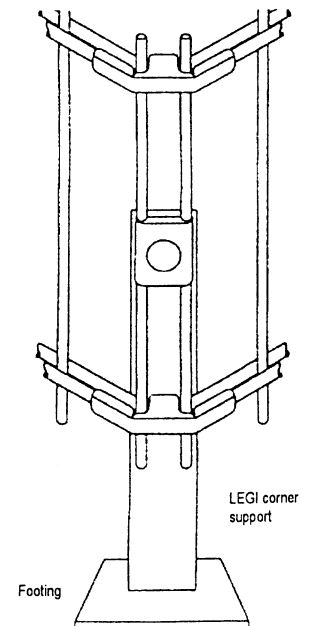
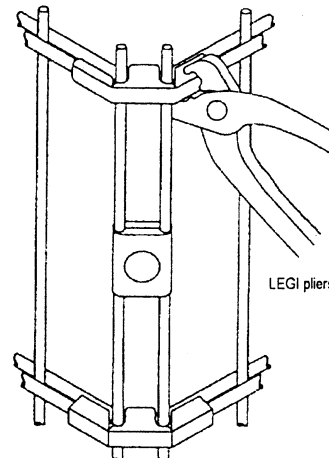
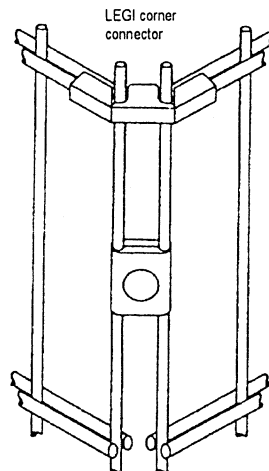
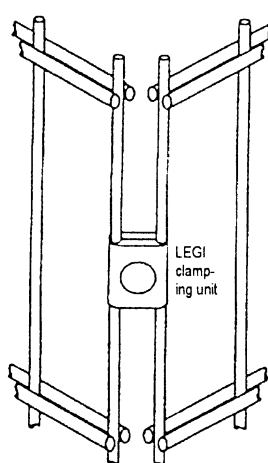
Attach LEGi corner connectors.

Cut the horizontal rods at a vertical wire. Clamp mesh together using the LEGi clamping unit between horizontal wires.

Place stainless steel corner connectors over horizontal wires.

Using the special pliers, tightly clamp corner hardware ends.

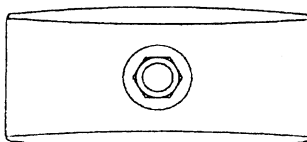
When there is no fit post within 900mm, embed a LEGi corner support into concrete footing or set a fence post in one of the planes of the fence (not shown).



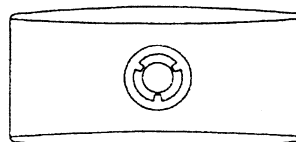
Note: Cut ends should be de-burred, cold-galvanized and painted.

Bolt options for post caps.

Standard bolt



LEGI security bolt for special LEGi socket.



OuterSpace Landscape Furnishings
7533 Draper Ave
La Jolla CA 92037

TO CONVERT FROM MILLIMETERS TO INCHES DIVIDE BY

Phone: 800/338-2499 Fax: 858/459-3622
Email: legi@fences.com Web: fences.com