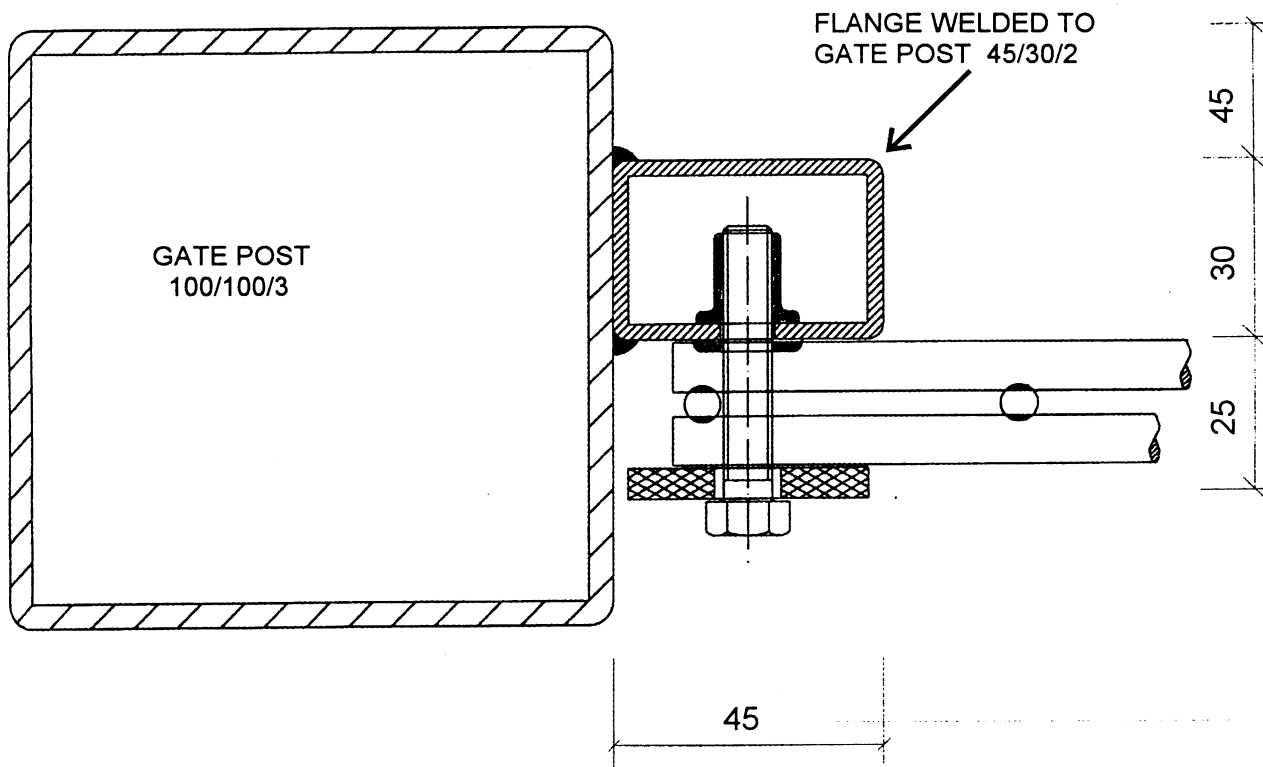


# MESH PANEL AT GATE POST



**NOTE:** MESH TERMINATING AT A GATE POST CAN EITHER BE FIELD CUT AS SHOWN ABOVE OR ATTACHED WITH THE STANDARD FACTORY OVERLAPPING END, USUALLY DECIDED BY LAYOUT CONSTRAINTS.

**ALL MEASUREMENTS IN MM  
MM TO INCHES DIVIDE BY 25.4**

**OuterSpace Landscape Furnishings**  
7533 Draper Avenue  
La Jolla CA 92037  
Tel: 800/338-2499 Fax: 858/459-3622  
email: [outerspace@znet.com](mailto:outerspace@znet.com)