

# LEGI-R INSTALLATION INSTRUCTIONS

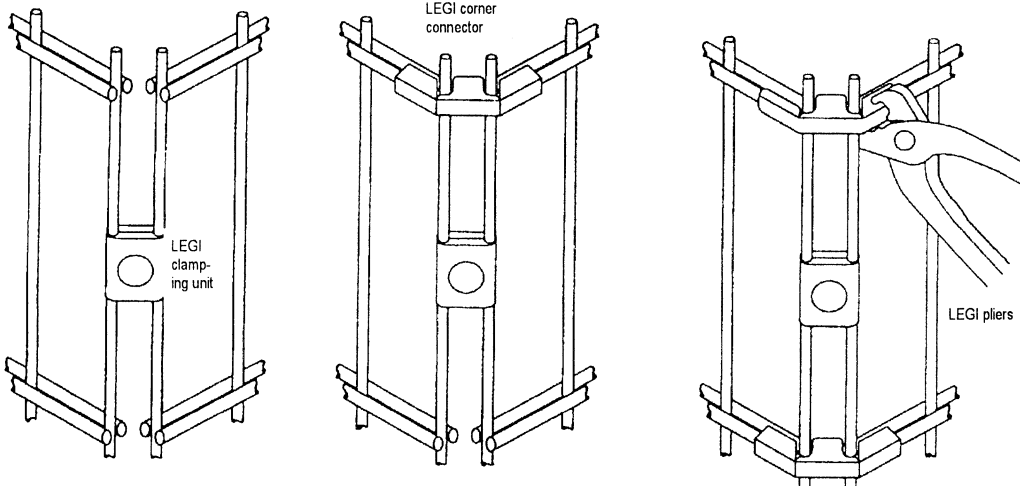
## Attach LEGI corner connectors.

Cut the horizontal rods at a vertical wire. Clamp mesh together using the LEGI clamping unit between horizontal wires.

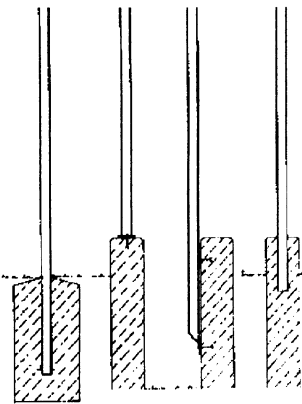
Place stainless steel corner connectors over horizontal wires.

Using the special pliers, tightly clamp corner hardware ends.

Note: A LEGI-R post may also be placed in one of the planes of fence at the corner.

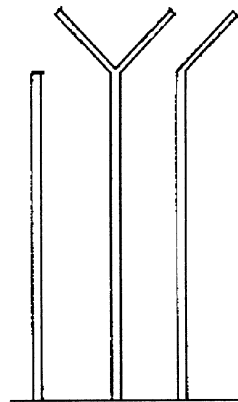


## Post options



### MOUNTING OPTIONS:

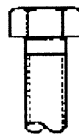
Concrete footing, baseplate for surface mount, flange for wall mount or sleeve mount. Mounting plates and footing sizes per LEGI specifications.



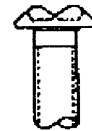
### POST TOP OPTIONS:

Standard straight, double or single deflector. Single or double deflector designed for LEGI-R Mesh or barbed wire (barbed wire by others).

## Bolt options for clamp bars.



Standard Hexagon Bolt  
8/45mm Stainless Steel



Security, One-Way Bolt  
8/45mm Stainless Steel



TO CONVERT FROM MILLIMETERS TO INCHES DIVIDE BY



OuterSpace Landscape Furnishings  
7533 Draper Ave  
La Jolla CA 92037

Phone: 800/338-2499 Fax: 858/459-3622  
Email: [legi@fences.com](mailto:legi@fences.com) Web: [fences.com](http://fences.com)